

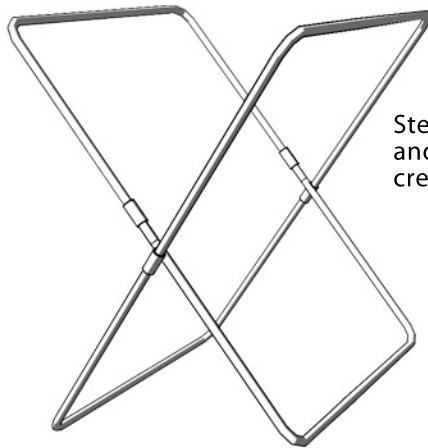
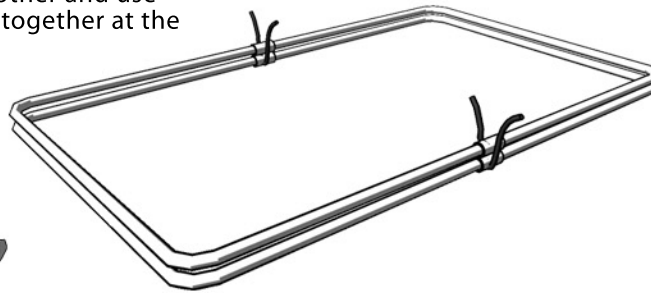


# Village Keeper Storage Bag

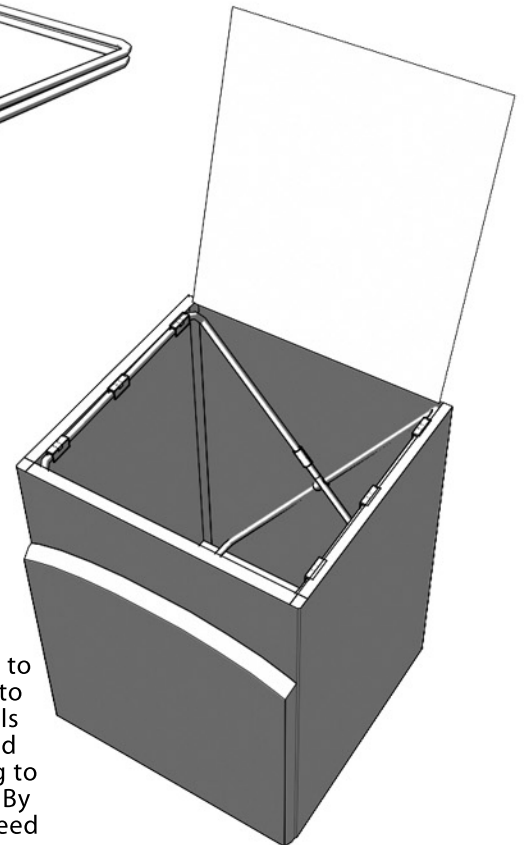


Step One: Attach each half of the cross bars together by pushing the male end into the female coupler. Assemble two cross beams (see above illustration).

Step Two: Lay the two assembled cross beams on top of each other and use the tie strings to them together at the center.



Step Three: Stand the cross beams up and cross them over each other to create the X frame.



Step Four: Insert the cross beam assembly into the bag making sure to place the bottom of the cross bars to either OUTER side of the wheel wells inside the bag. Use the clips located on either side of the TOP of the bag to secure the cross beams into place. By design, this is a tight fit, you may need to stretch the material to fasten the clips and cross beams.

**IMPORTANT:**  
BE CAUTIOUS WHEN MOVING THE BAG AS IT COULD BE HEAVY. USE TWO OR MORE PEOPLE TO MOVE IF NECESSARY.

For technical assistance, please visit us online at:  
[www.TreeKeeperBags.com](http://www.TreeKeeperBags.com)



A PRODUCT OF

